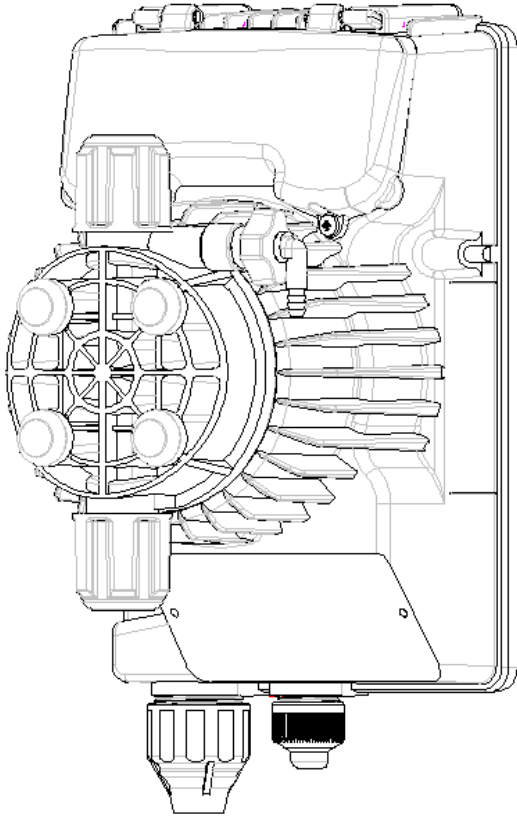


# DOSING PUMP

## TEKNA AKS SERIES – Solenoid Dosing Pump



### TECHNICAL CHARACTERISTICS



- Flow rates: from 0.4 to 110 l/h
- Max back pressure: up to 20 bar
- Power supply: 100÷240 Vac - 50/60 Hz
- Stroke rate: from 120 to 300 strokes/minute
- Pump head: PVDF
- Diaphragm: PTFE
- External Enclosure: PP reinforced with fiberglass protection degree IP65
- Manually priming valve

Installation kit: Included

Seko Tekna AKS Series is an analogic dosing pump with constant flow rate, which is manually adjustable by a knob mounted on the front panel, in addition there is the level control input than the Tekna AKS.

The flow rate has two frequency ranges:

- 0÷20 % of max flow rate
- 0÷100% of max flow rate

With only 5 sizes that pump can cover a wide range of performances, having a flow rate range from 0.4 to 110 l/h and a back pressure from 0.1 to 20 bar. The power supply is 100÷240 Vac – 50/60 Hz therefore the same pump can operate with different supply voltage, moreover the model AKL603 have the possibility for 24÷48 Vac power supply.

The standard pump head is in PVDF, therefore high chemical compatibility with several liquids end but is available in PVC as well, on request.

All Tekna series are equipped with a manually priming pump for the start up.

The pump is furnished with a complete standard installation kit, which includes: PVDF foot filter and injection valve, PVC suction tube, PE delivery tube. Moreover is available an installation kit in PVDF-T, on request.

The ambient temperature at the site of pump installation cannot exceed 40°C, and the relative humidity cannot be above 90%; the pump cannot be installed in a place exposed to sun or bad weather.

# DOSING PUMP

## TEKNA AKS SERIES – Solenoid Dosing Pump



### KEY CODE

#### model

AKS Constant flow rate manually adjustable.

hydraulics	Pressure [bar]	Flow rate [l/h]	Capacity [cc/stroke]	Frequency [stroke/1']	Ø Connections IN / EXT [mm]
500	20	0,4	0,06	120	4 / 7 discharge 4 / 6 suction
	16	0,8	0,11		
	10	1,2	0,17		
600	6	1,5	0,21	120	4 / 7 discharge 4 / 6 suction
	20	2,5	0,35		
	18	3	0,42		
603	14	4,2	0,58	160	4 / 6
	8	7	0,97		
	12	4	0,42		
800	10	5	0,52	300	4 / 6
	8	6	0,63		
	2	8	0,83		
803	16	7	0,38	300	8 / 12
	10	10	0,55		
	5	15	0,83		
803	1	18	1,00	300	8 / 12
	5	20	1,11		
	4	32	1,78		
	2	62	3,44		
	0,1	110	6,11		

#### power supply

N 100÷240 Vac 50/60 Hz

#### liquid end

H	PVDF	
A	PVDF - automatic degassing	NOT for 803 hydraulic
I	SS316L	

#### installation kit

H	PVDF	
P	PVDF-T	
X	with 1,5 bar injection valve	
0	WITHOUT kit	only for SS316L liquid end

#### seals

0	FKM-B	
1	EPDM	
2	PTFE	
3	FFKM	NOT for 803 hydraulic - kit with PTFE seals
B	FPM	hydraulic 603 and 800
C	EPDM	special seals for Car Wash applications

#### optional

0 standard

#### optional / customization

00 standard

AKS 800 N H H 1 0 0



# DOSING PUMP

## TEKNA AKS SERIES – Solenoid Dosing Pump



### HYDRAULIC CHARACTERISTICS

Pump model	Pressure [bar]	Flow Rate [l/h]	Frequency max [stroke/min]	Stroke capacity [cc/stroke]	Connection [mm]		Power supply	Consumption [W]	
					Suction	Discharge		Min	Max
AKS500N	20	0,4	120	0,06	4/6	4/7	100÷240 Vac	13,0	15,0
	16	0,8		0,11					
	10	1,2		0,17					
	6	1,5		0,21					
AKS600N	20	2,5	120	0,35	4/6	4/7	100÷240 Vac	14,0	19,0
	18	3,0		0,42					
	14	4,2		0,58					
	8	7,0		0,97					
AKS603N	12	4,0	160	0,42	4/6	4/6	100÷240 Vac	17,0	22,0
	10	5,0		0,52					
	8	6,0		0,63					
	2	8,0		0,83					
AKS800N	16	7,0	300	0,39	4/6	4/6	100÷240 Vac	22,0	33,0
	10	10,0		0,56					
	5	15,0		0,83					
	1	18,0		1,00					
AKS803N	5	20,0	300	1,11	8/12	8/12	100÷240 Vac	29,0	37,0
	4	32,0		1,78					
	2	62,0		3,44					
	0	110,0		6,11					

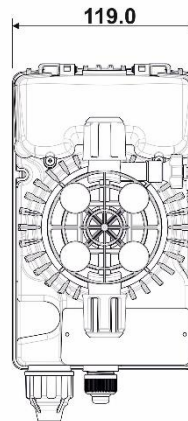
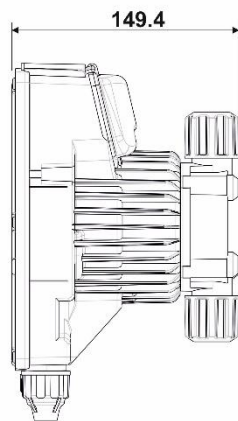
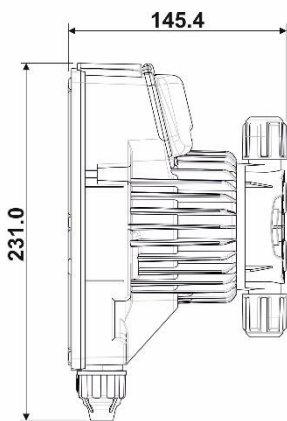
The Pressure Data in the table refer to the measured parameters on the plant, including the use of SEKO STANDARD injection fitting.

\*Minimum consumption at 0 bar of back pressure (Patented)

### DIMENSIONS

500 – 600 – 603 - 800

803



#### INSTALLATION KIT

PVDF PVDF-T

foot filter	●	●
injection valve	●	●
PVC suction tube (4 m)	●	
PE delivery tube (2 m)	●	
Wall and base fixing bracket	●	

# DOSING PUMP

## TEKNA AKS SERIES – Solenoid Dosing Pump



### PERFORMANCE

