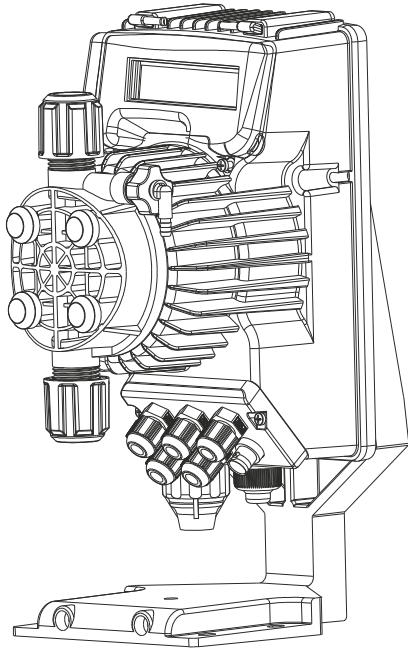


DOSING PUMP

TEKNA TPR Series – Solenoid Dosing Pump



TECHNICAL CHARACTERISTICS



- Flow rates: from 0.4 to 110 l/h
- Max back pressure: up to 20 bar
- Power supply: 100÷240Vac - 50/60 Hz
- Stroke rate: from 120 to 300 strokes/minute
- Pump head: PVDF
- Diaphragm: PTFE
- External Enclosure: PP reinforced with fiber glass protection degree IP65
- Manually priming valve
- Installation kit: Included

Seko Tekna TPR Series is a digital dosing pump with pH/Redox control meter built in, Its own other features are:

- constant or proportional dosing according to the measured pH or Redox value
- PT100 probe input for thermal compensation
- Repetition alarm relay
- Input On-Off for remote control
- 4÷20 mA output for measure transmission

Also with this pump, with only 5 sizes, is possible to cover a wide range of performances, having a flow rate range from 0.4 to 110 l/h and a back pressure from 0.1 to 20 bar. The power supply is 100÷240 Vac – 50/60 Hz therefore the same pump can operate with different supply voltage. The standard pump head is in PVDF, therefore high chemical compatibility with several liquids end but is available in PVC as well, on request. Also Tekna TPR series is equipped with a manually priming pump for the start up.

The pump is furnished with a complete standard installation kit, which includes: PVDF foot filter and injection valve, PVC suction tube, PE delivery tube. Moreover is available an installation kit in PVDF-T, on request.

The ambient temperature at the site of pump installation cannot exceed 40°C, and the relative humidity cannot be above 90%; the pump cannot be installed in a place exposed to sun or bad weather.

DOSING PUMP

TEKNA TPR Series – Solenoid Dosing Pump



KEY CODE

model

TPR Constant flow rate manually adjustable. Proportional dosing according the measured pH or Redox value. PT100 probe input for thermal compensation. Repetition alarm relay. Input On-Off for remote control. 4÷20 mA output for measure transmission. Available with communication via ModBus protocol.

hydraulics	Pressure [bar]	Flow rate [l/h]	Capacity [cc/stroke]	Frequency [stroke/1']	Ø Connections IN / EXT [mm]
500	20	0,4	0,06	120	4 / 7 discharge 4 / 6 suction
	16	0,8	0,11		
	10	1,2	0,17		
	6	1,5	0,21		
600	20	2,5	0,35	120	4 / 7 discharge 4 / 6 suction
	18	3	0,42		
	14	4,2	0,58		
	8	7	0,97		
603	12	4	0,42	160	4 / 6
	10	5	0,52		
	8	6	0,63		
	2	8	0,83		
800	16	7	0,38	300	4 / 6
	10	10	0,55		
	5	15	0,83		
	1	18	1,00		
803	5	20	1,11	300	8 / 12
	4	32	1,78		
	2	62	3,44		
	0,1	110	6,11		

power supply

N 100÷240 Vac 50/60 Hz

liquid end

H	PVDF	
A	PVDF - automatic degassing	NOT for 803 hydraulic
I	SS316L	

installation kit

H	PVDF	
P	PVDF-T	
X	with 1,5 bar injection valve	
0	WITHOUT kit	only for SS316L liquid end

seals

0	FKM-B	
1	EPDM	
2	PTFE	
3	FFKM	NOT for 803 hydraulic - kit with PTFE seals

optional

0 standard

optional / customization

00 standard

TPR

800

N

A

H

0

0

00

DOSING PUMP

TEKNA TPR Series – Solenoid Dosing Pump



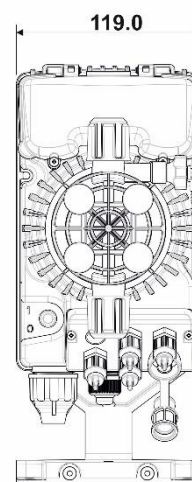
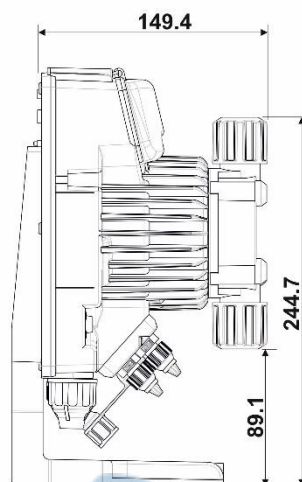
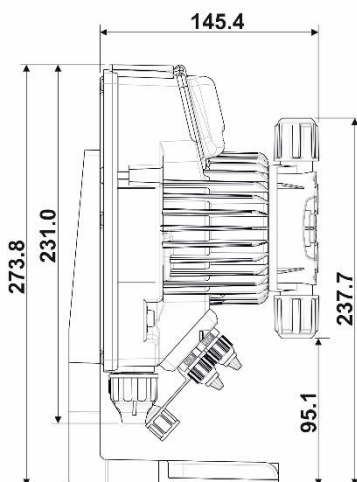
HYDRAULIC CHARACTERISTICS

Pump model	Pressure [bar]	Flow Rate [l/h]	Frequency max [stroke/min]	Stroke capacity [cc/stroke]	Connection [mm]		Power supply	Consumption [W]	
					Suction	Discharge		Min	Max
TPR 500 N	20	0,4	120	0,06	4/6	4/7	100÷240 Vac	-	-
	16	0,8		0,11					
	10	1,2		0,17					
	6	1,5		0,21					
TPR 600 N	20	2,5	120	0,35	4/6	4/7	100÷240 Vac	14,0	20,0
	18	3,0		0,42					
	14	4,2		0,58					
	8	7,0		0,97					
TPR 603 N	12	4,0	160	0,42	4/6	4/6	100÷240 Vac	15,0	22,0
	10	5,0		0,52					
	8	6,0		0,63					
	2	8,0		0,83					
TPR 800 N	16	7,0	300	0,39	4/6	4/6	100÷240 Vac	22,0	36,0
	10	10,0		0,56					
	5	15,0		0,83					
	1	18,0		1,00					
TPR 803 N	5	20,0	300	1,11	8/12	8/12	100÷240 Vac	-	-
	4	32,0		1,78					
	2	62,0		3,44					
	0,1	110,0		6,11					

DIMENSIONS

500 – 600 – 603 - 800

803

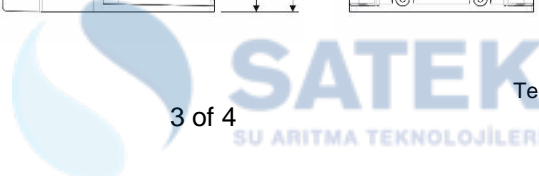


INSTALLATION KIT

PVDF PVDF-T

foot filter	•	•
injection valve	•	•
PVC suction tube (4 m)	•	
PE delivery tube (2 m)	•	
Wall and base fixing bracket	•	

Your Choice,
Our Commitment



DOSING PUMP

TEKNA TPR Series – Solenoid Dosing Pump



PERFORMANCE

