



Code: 9900101011

Main Features

- Cell constant: $C=0,2 \text{ cm}^{-1}$ or $K=5$
- Body material PVC 60°C
- Stainless Steel 316L Electrodes
- Mechanical Connection: 1/2 GAS Male PVC

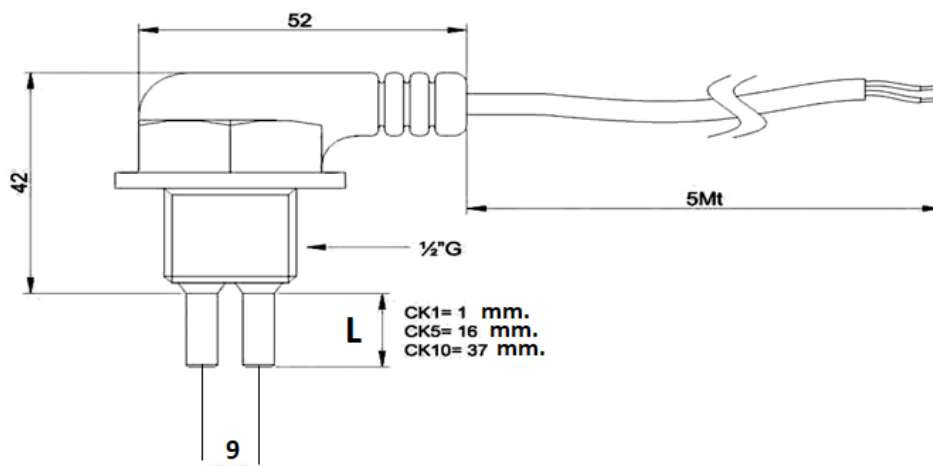
Field Application

- Wastewater
- Drinking Water
- Cooling Towers
- Irrigation

TECHNICAL CHARACTERISTICS

Measurement range	0,1 ÷ 1.000 μS
Cell Constant [C-K]	$C=0,2 \text{ cm}^{-1}$; $K=5 \text{ cm}$
Temp. Range	60° C
Pressure Range	6 bar (*)
Body material	PP
Electrode material	AISI 316
Mounting Process	1/2" GAS Male
Cable	5 m

DIMENSIONS



(*) The maximum pressure of 6 bars is guaranteed at 25 °C. As the temperature increases, the pressure decreases linearly and at 50° or 80 °C, the maximum pressure is 1 bar.